

SIG INSULATIONS

SPOTLIGHT ON... Isovover

NOT JUST ANOTHER INSULATION ROLL...

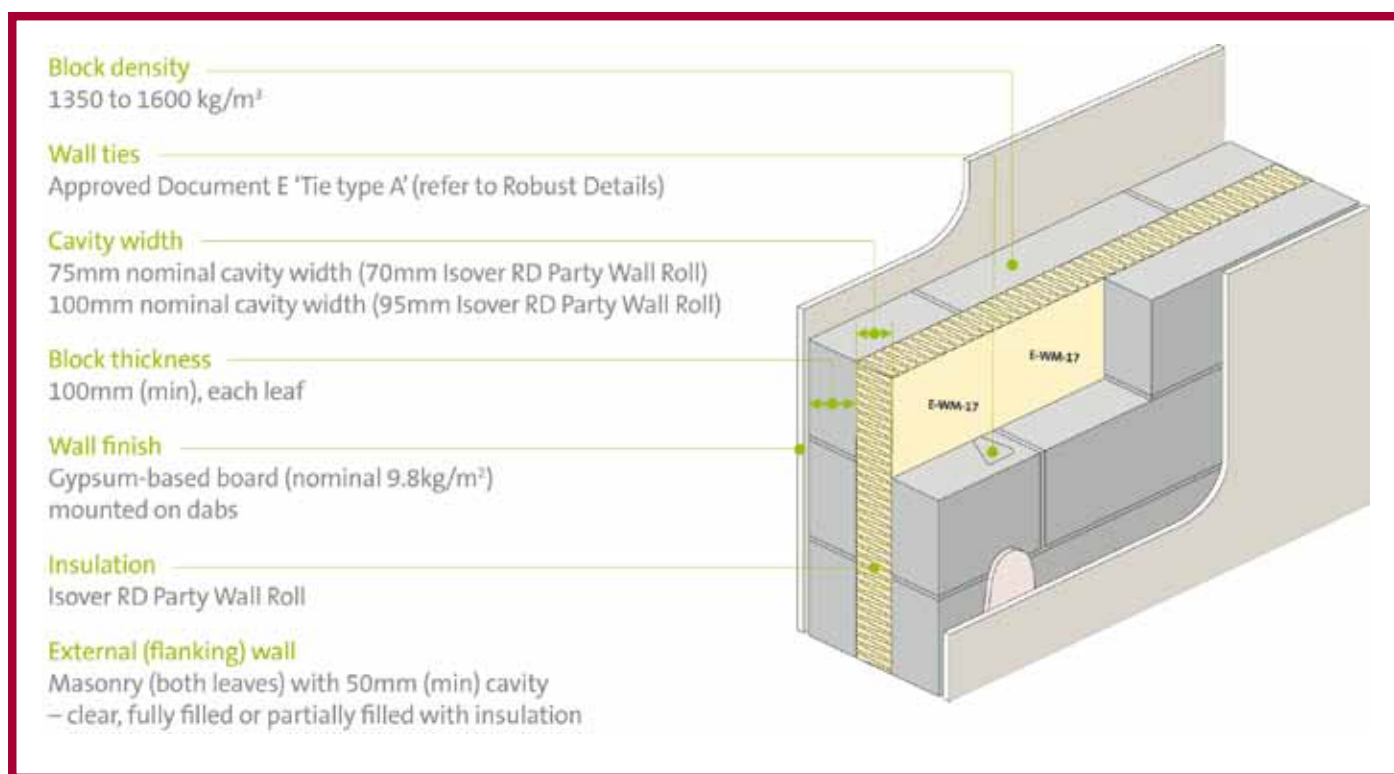


**...BUT A SIMPLE, COST EFFECTIVE NEW
WAY OF BUILDING PARTY WALLS.**

NEW Robust Detail E-WM-17 features Isovover RD Party Wall Roll, which helps to reduce construction times and cut the cost of masonry party wall constructions.

SIG Insulations - Bringing you the latest information on our manufacturing partners and their products

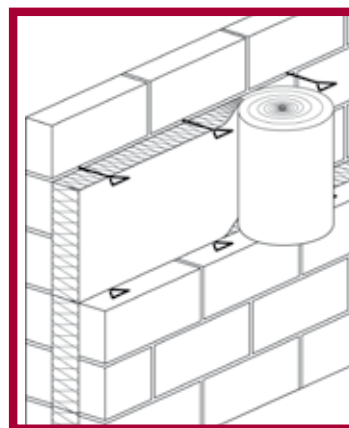
Isover RD Party Wall Roll exceeds Part E Acoustic Building Regulation requirements and will also deliver 3 credits under "Health & Wellbeing Hea 2 Sound Insulation" for the Code for Sustainable Homes or 4 credits for BRE EcoHomes.



Using Isover RD Party Wall Roll as specified in Robust Detail E-WM-17 enables significant cost reductions by eliminating the need for pre-completion testing, removing the need for sand or cement renders and allowing drylining to be added directly to the inner face of the blockwork.

E-WM-17 constructions achieve a minimum 50dB rating in a 75mm nominal cavity width (using 70mm Isover RD Party Wall Roll) and

a 100mm nominal cavity width (using 95mm Isover RD Party Wall Roll) as determined by Robust Details Limited.



Isover RD Party Wall Roll allows quick and easy installation, covering much larger wall areas by rolling out in one simple

operation when compared to traditional insulation batts. Since the product is in roll form, acoustic performance is improved due to limited/no vertical butt joints. In addition since a much larger area is installed in one operation, this eliminates repetitive lifting of materials, reduces cutting and jointing, minimises on site waste as well as removing the need for wall tie retaining discs.

Isover RD Party Wall Roll is available in two thicknesses:

- 70mm for 75mm nominal cavities
- 95mm for 100mm nominal cavities

For easy identification all rolls are branded with E-WM-17 to ensure the correct product is being used for the designated application.

Each Isover RD Party Wall Roll pack contains two 455mm wide rolls which are compression packed using strong polythene packaging. The packs are stacked on wooden pallets and wrapped with a durable polythene weatherproof outer covering, suitable for storing the product inside or out without the concern of moisture damage.



All Isover glass wool insulation products, including RD Party Wall Roll, are manufactured from a combination of silica sand and 86% recycled post consumer

glass from building regeneration projects or flat glass manufacture that would otherwise go to landfill. This makes Isover insulation one of the most environmentally sustainable insulation products on the market today.

ABOUT SIG INSULATIONS

SIG Insulations is the UK's market leading specialist distributor of insulation, dry lining and related products to construction and industry, comprising 21 companies and serving a wide range of industries and specialist markets.

Our businesses are engaged in the following areas, offering customers a service that fully integrates products, solutions and technical support.

- Insulation materials for thermal, acoustic and fire protection
- Timber frame insulation
- High temperature insulation
- Dry lining and plasterboards
- Fire protection boards
- House building materials
- Sustainable/renewable technologies
- Building products
- Industrial insulation
- Plumbing, heating and ventilating
- Marine and power

- Oil and gas processing
- Chemical and pharmaceutical
- Food chain process and manufacture
- Cold storage
- Asbestos removal
- Specialist cladding
- Specialist fabrication
- Chimneys, dormers & canopies
- Engineering maintenance
- Tools and ancillaries

This publication contains manufacturer's product information, the views expressed are not necessarily those held by SIG Insulations. Whilst every effort has been made to ensure that the information is current and correct, as distributors SIG Insulations cannot accept responsibility for the application and performance levels of the products featured. Neither can we accept responsibility where the manufacturer's instructions have not been followed.



SPOTLIGHT ON...

Stockists

Isover products are available from the following SIG Insulations stockists.



Aberdeen Branch
Tel: 01224 825825 Fax: 01224 822892

Bedford Branch
Tel: 01234 761100 Fax: 01234 272157

Birmingham Branch
Tel: 0121 665 3050 Fax: 0121 665 3075

Blairstown Branch
Tel: 01250 873611 Fax: 01250 875252

Bristol Branch
Tel: 0117 931 3400 Fax: 0117 931 3411

Cardiff Branch
Tel: 0292 066 2900 Fax: 0292 066 2911

Eurocentral Branch
Tel: 01698 833755 Fax: 01698 733048

Inverness Branch
Tel: 01463 701200 Fax: 01463 701201

Leeds Branch
Tel: 0113 385 7700 Fax: 0113 385 7701

Leicester Branch
Tel: 0116 232 5019 Fax: 0116 232 5018

Liverpool Branch
Tel: 0151 547 7680 Fax: 0151 547 7681

London East Branch
Tel: 020 8477 9500 Fax: 020 8477 9501

London West Branch
Tel: 020 8839 4321 Fax: 020 8839 4301

Loughborough Branch
Tel: 01509 231891 Fax: 01509 232869

Manchester Branch
Tel: 0161 876 4776 Fax: 0161 876 4775

Newcastle Branch
Tel: 0191 226 3110 Fax: 0191 226 3111

Norwich Branch
Tel: 01603 765660 Fax: 01603 226000

Plymouth Branch
Tel: 01752 675400 Fax: 01752 675419

Sheffield Branch
Tel: 0114 241 3000 Fax: 0114 241 3001

Southampton Branch
Tel: 023 8074 0074 Fax: 023 8074 0122

Tonbridge Branch
Tel: 01732 370 500 Fax: 01732 370 530

www.sheffins.co.uk



Bridgwater Branch
Tel: 01278 686000 Fax: 01278 686006

Chesterfield Branch
Tel: 01246 450505 Fax: 01246 456156

Colchester Branch
Tel: 01206 214600 Fax: 01206 214610

Coventry Branch
Tel: 024 7664 4373 Fax: 024 7664 4588

Crewe Branch
Tel: 01270 530800 Fax: 01270 530830

Heathrow Branch
Tel: 01753 685131 Fax: 01753 681623

Leominster Branch
Tel: 01568 708975 Fax: 01568 709279

www.warren.co.uk



Bradford Branch
Tel: 01274 711470 Fax: 01274 711471

Bristol Branch
Tel: 0117 9160770 Fax: 0117 9381876

Burton-on-Trent Branch
Tel: 01283 517777 Fax: 01283 511200

Manchester Branch
Tel: 0161 793 1100 Fax: 0161 793 1155

Sheffield Branch
Tel: 0114 244 1420 Fax: 0114 242 3317

Sidcup Branch
Tel: 020 8308 6950 Fax: 020 8308 6951

Wycombe Branch
Tel: 01494 462001 Fax: 01494 462002

www.orientrent.co.uk



Aberdeen Branch
Tel: 01224 771566 Fax: 01224 770319

Bedford Branch
Tel: 01234 761490 Fax: 01234 761499

Birmingham Branch
Tel: 0121 665 3060 Fax: 0121 544 8026

Bristol Branch
Tel: 0117 931 3420 Fax: 0117 931 3425

Chesterfield Branch
Tel: 01246 269537 Fax: 01246 261725

Glasgow Branch
Tel: 0141 643 3600 Fax: 0141 641 2426

Heathrow Branch
Tel: 01753 687272 Fax: 01753 681623

Leeds Branch
Tel: 0113 385 7777 Fax: 0113 385 7778

Leicester Branch
Tel: 0116 232 5000 Fax: 0116 232 5001

London East Branch
Tel: 020 7473 9310 Fax: 020 7473 9311

London West Branch
Tel: 020 8839 4290 Fax: 020 8839 4295

Newcastle Branch
Tel: 0191 226 6730 Fax: 0191 226 6731

Newton-Le-Willows Branch
Tel: 01925 225252 Fax: 01925 229700

Norwich Branch
Tel: 01603 226020 Fax: 01603 226025

Plymouth Branch
Tel: 01752 675417 Fax: 01752 675418

Portsmouth Branch
Tel: 023 9269 6733 Fax: 023 9266 1406

Swansea Branch
Tel: 01792 588461 Fax: 01792 583849

www.kitsonsthermal.co.uk



Shobdon Branch
Tel: 01568 708888 Fax: 01568 708181

Wolverhampton Branch
Tel: 01902 733711 Fax: 01902 733722

www.woodsinsulation.co.uk



Southampton Branch
Tel: 023 8062 5550 Fax: 023 8062 5551

London Branch
Tel: 020 8556 4411 Fax: 020 8556 4472

www.solentinsulation.co.uk



Brighton Branch
Tel: 01273 878700 Fax: 01273 878704

Worthing Branch
Tel: 01903 218115 Fax: 01903 823298

www.franklinltd.co.uk



CHD (Whittlesey)
Peterborough Branch
Tel: 01733 202299 Fax: 01733 208401

www.chdwhittlesey.co.uk



Witney Branch
Tel: 01993 700993 Fax: 01993 708993

www.chinsulation.co.uk



Stirling Branch
Tel: 01786 849100 Fax: 01786 849940

www.clyde-insulation.co.uk



Basingstoke Branch
Tel: 01256 335401 Fax: 01256 335402

Bow Branch
Tel: 020 8985 9802 Fax: 020 8985 6175

Brentford Branch
Tel: 020 8232 8509 Fax: 020 8568 4059

www.sigexpress.co.uk

SIG INSULATIONS

www.siginsulations.co.uk